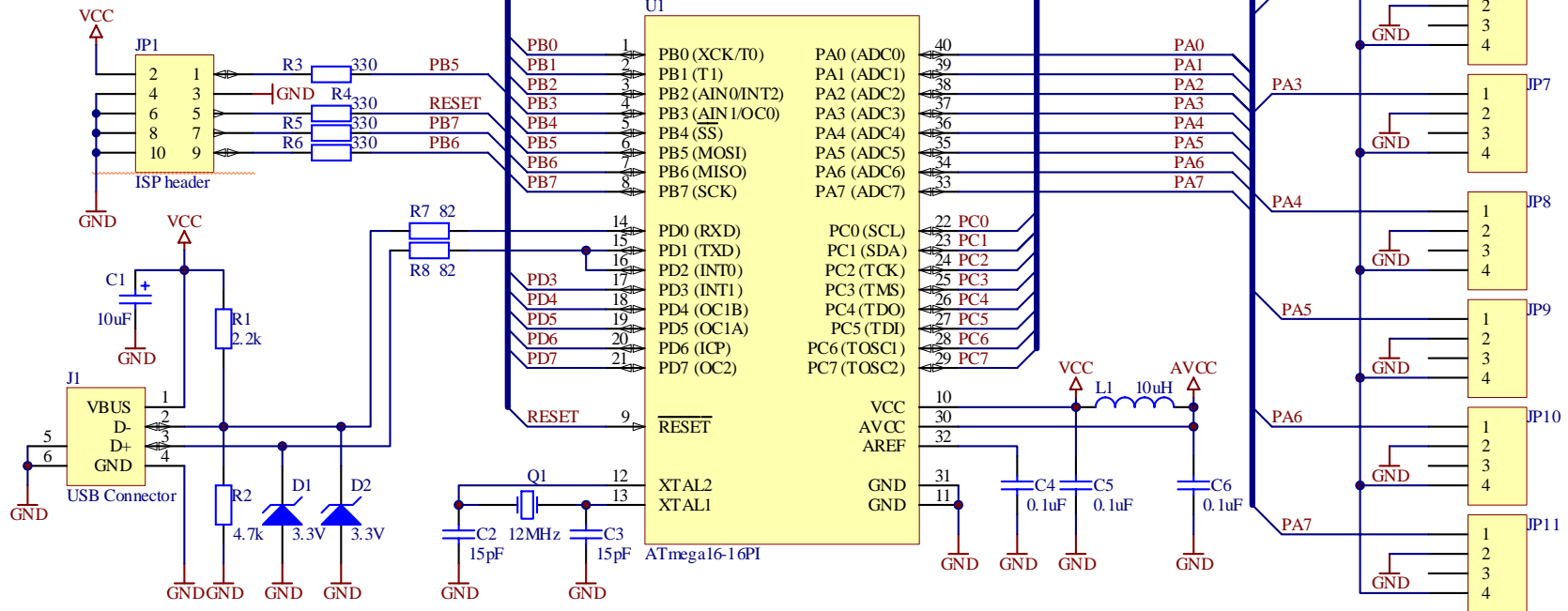


MJoy16

Version 1



MJoy16 version 1

Parts List

Description	Designator	Quantity	Value
Polarized Capacitor (Radial)	C1	1	10uFx15V
Capacitor	C2, C3	2	15pF
Capacitor	C4, C5, C6	3	0.1uF
Zener Diode 1N4733A or similar	D1, D2	2	3.3V
USB 1.1, Right Angle, Thru-Hole, B Type, Receptacle	J1	1	USB Connector
2x5 Header and Connector, 10-Pin, Dual row	JP1	2	
2x20 Header and Connector, 40-Pin, Dual row	JP2	1	
Header, 8-Pin	JP3	1	
Header and Connector, 4-Pin	JP4, JP5, JP6, JP7, JP8, JP9, JP10, JP11	8	
Inductor	L1	1	10uH
Crystal Oscillator	Q1	1	12MHz
Resistor	R1	1	2.2k
Resistor	R2	1	4.7k
Resistor	R3, R4, R5, R6	4	330
Resistor	R7, R8	2	82
ATmega16-16PI 8-Bit AVR Microcontroller	U1	1	ATmega16-16PI
DB25 Printer port male connector for ISP adapter	-	1	

